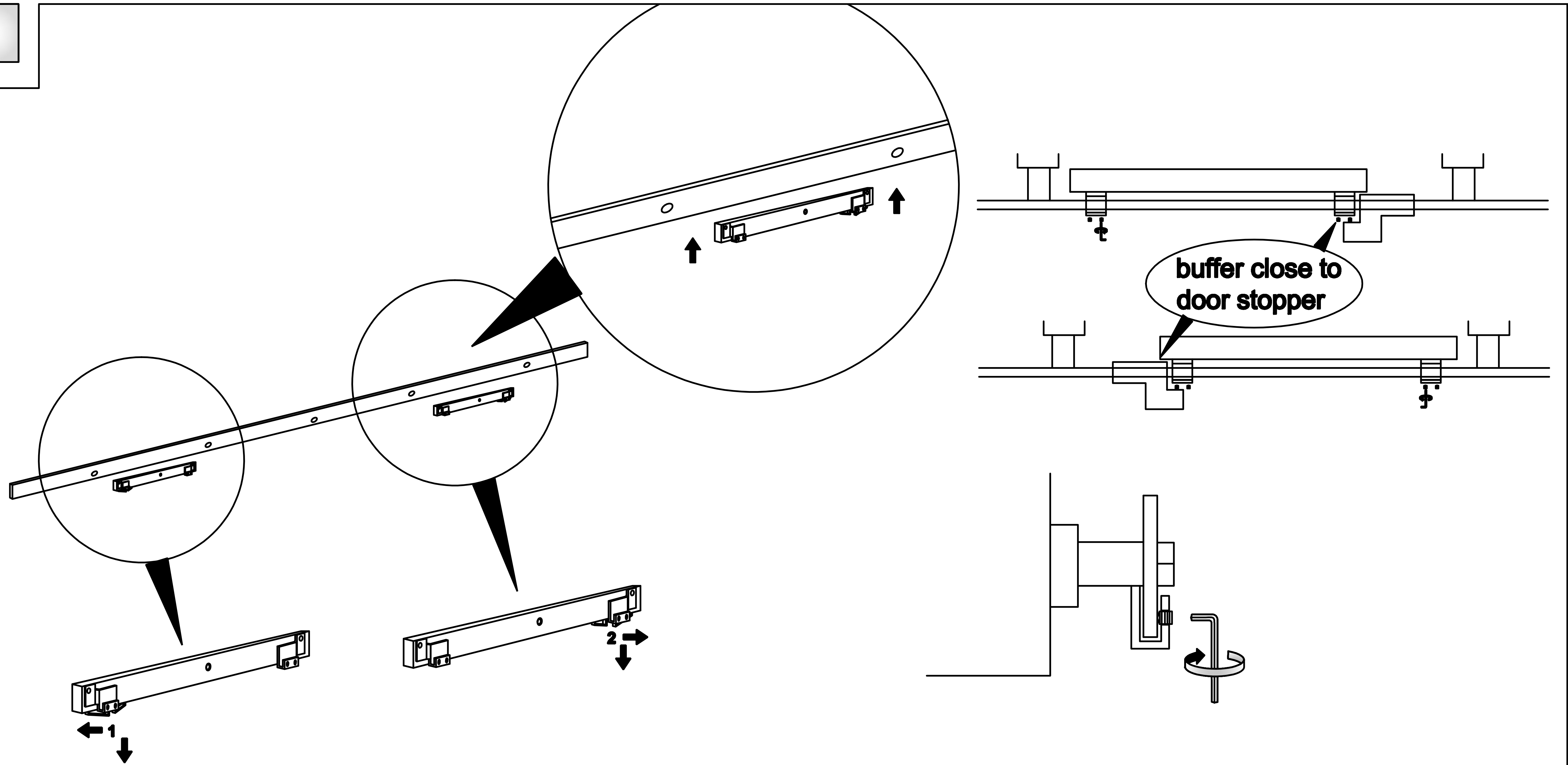
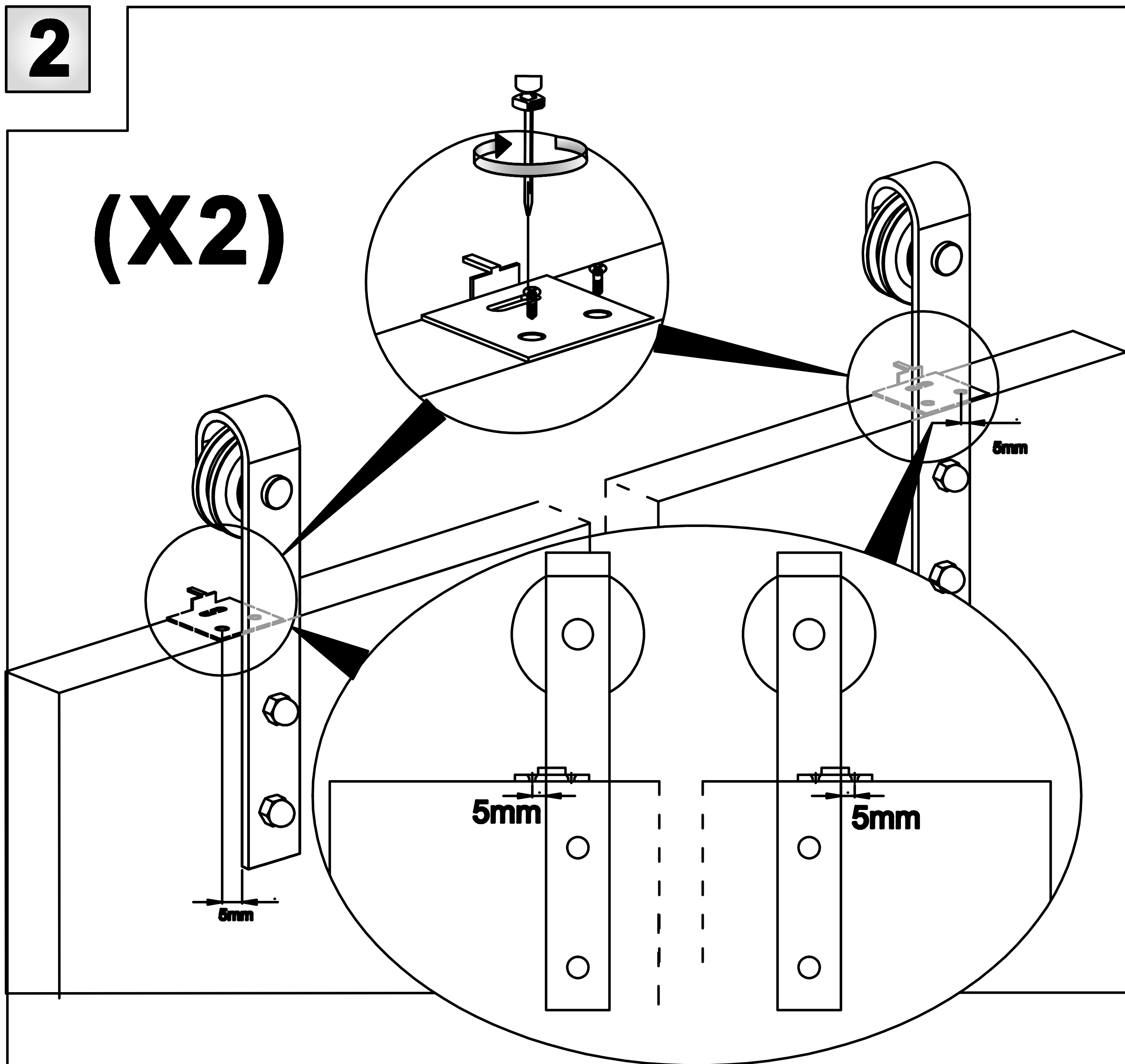


# Soft close

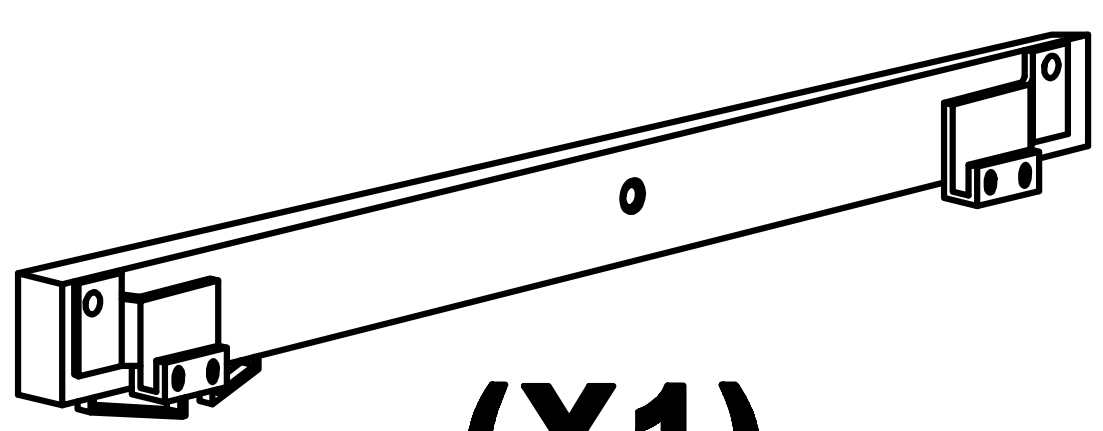
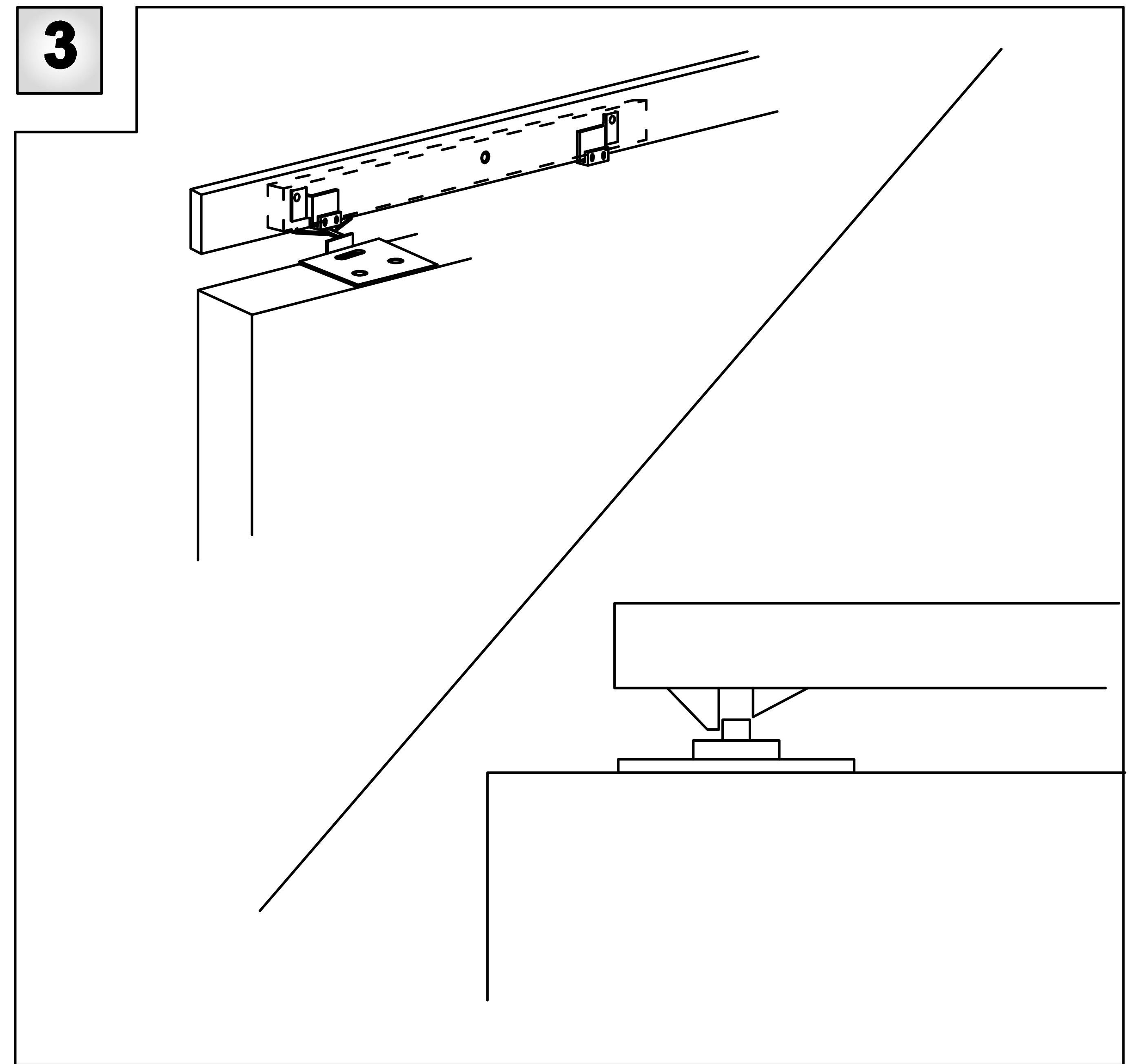
1



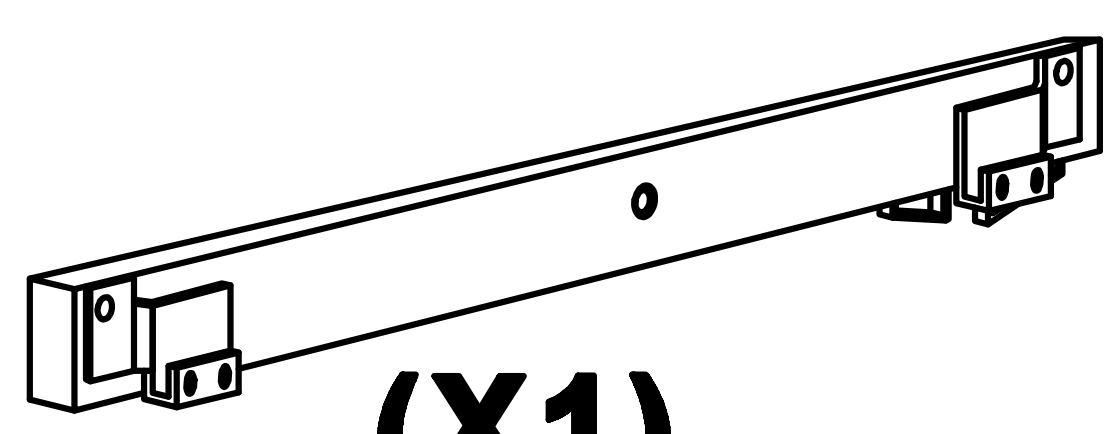
2



3



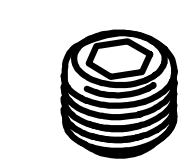
(X1)



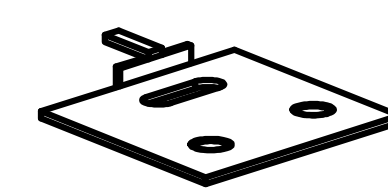
(X1)



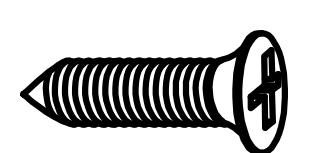
(X1)



(X8)



(X2)



ST4x25(X4)